



Chip RGB Ribbon adopts Chip RGB Led as its luminous body which is of high intensity and large viewing angle. Leds are evenly set on the super flexible PCB board. The Chip RGB Led, whose color is soft and well-mixed, is from famous international company.

Three LEDs make one group and each group can be cut according to the length requirement. Ribbons can be connected via male and female connectors, and they can be installed easily with 3M Tape on the back.

This ribbon can be controlled by DMX 512 controlling system to realize the effects of multi-color jumping, gradual color changing, etc. It also can be controlled by RGB controller IMG-CT308 to realize whole color changing. It is mainly used for indoor decoration, such as small floodlight, cove lighting, edge lighting decoration, etc.



Chip RGB Ribbon

Part No.: IMG-R15RGB-S

Specification :

Size: 500*11.7mm / 5000*11.7mm

Led Spacing: 33mm

Weight : 15g / 150g

Beaming Angle: >120°

Electric Specs :

IP class: no

Input Voltage: 12VDC

Power Consumption Watt: 0.72W*5

Maxium Length of One Loop : 6 meters

Power Supply : waterproof 30W-12V-2.5A ;

60W-12V-5A ; 150W-12V-12.5A

Non-waterproof 55W-12V-4.6A,

150W- 12V-12.5A ; 300W-12V-25A

Packing: 5 meter/reel or 0.5 meter/pc



Green, Energy Saving

Low voltage, 12 VDC, high brightness

Conforming to International Standard

Absolutely safe and stable

Save 90% electricity compared to traditional lights

Shanghai Imagey Electronics Co., Ltd

Address: No. 1058 Deng Hui Road, Min Hang District, Shanghai, China (201109)

Tel: (86) 21-6490 8790 Fax: (86)21-6490 8780

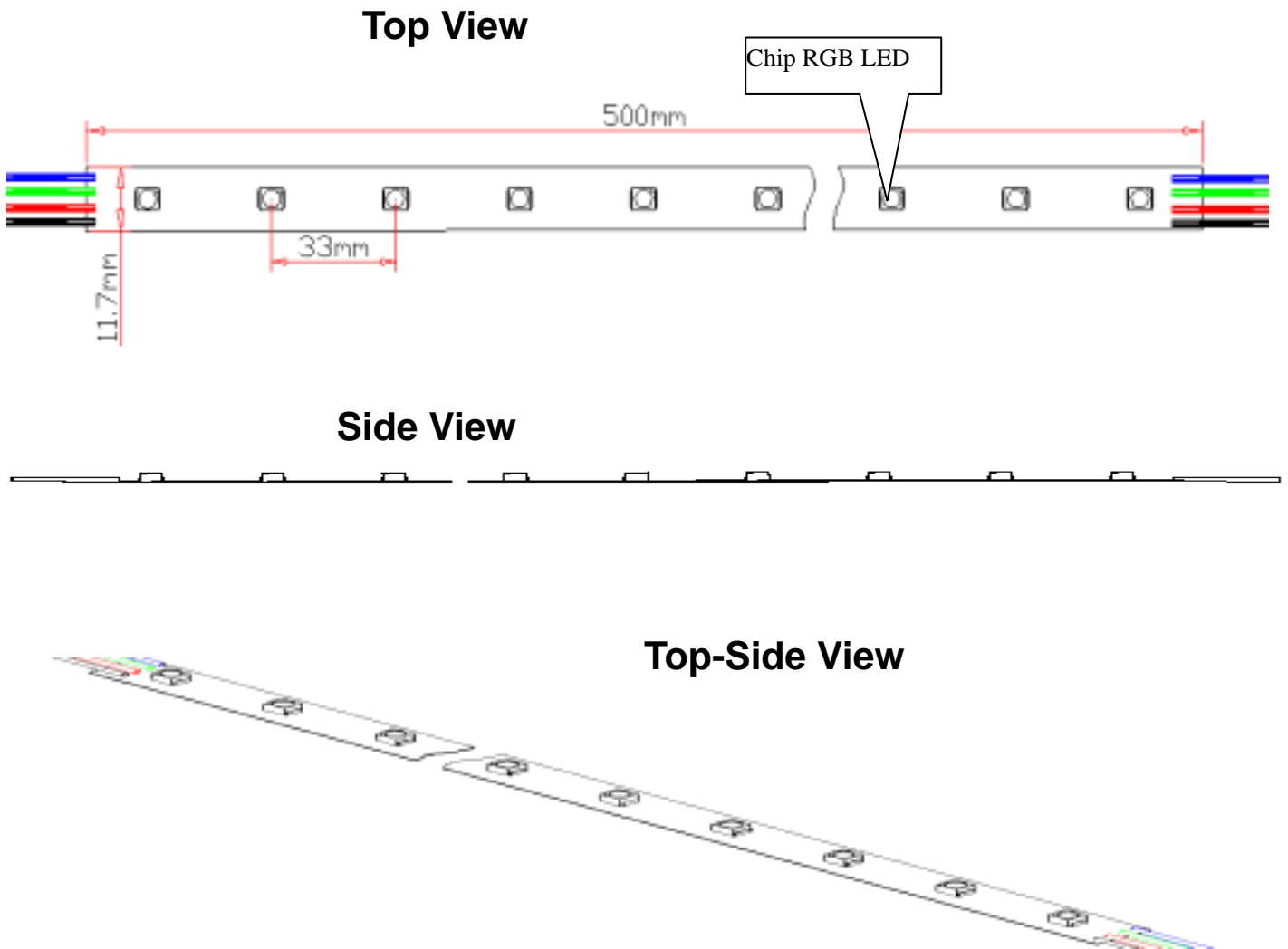
Email: market@imagey.com [Http://www.imagey.com](http://www.imagey.com)

Flex Lighting Series

Longevity of Luminous Body :

All LED lights adopt super bright LED as their luminous body. Theoretically, the longevity of LED could be 50,000-100,000 MTBF (Mean Time Between Failure: average fault-free time, the standard usually measured by manufacturer of traditional lights). Like traditional lighting products, the lumen of LED will also decrease as time goes on. LED lumen is influenced by environmental factors such as temperature, humidity, and ventilation condition. It also could be impacted by its design on heat sinking, current control, etc. To some extent, these factors are the main ones on LED longevity.

Diagram :



ATTENTION

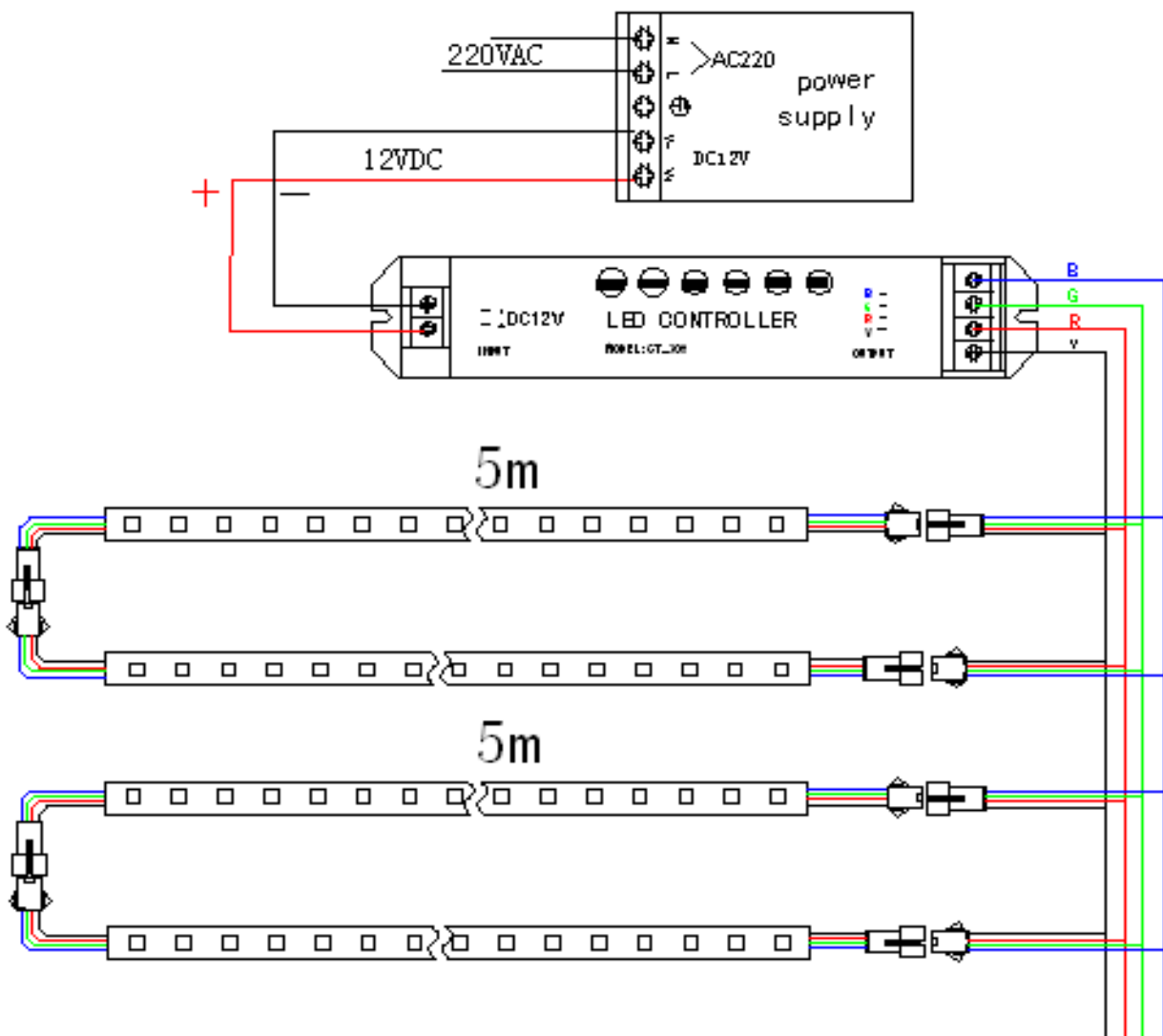
To ensure the longevity and stability of the ribbon, please do not curve it at the diameter below 60mm. No folding.

Shanghai Imageye Electronics Co., Ltd
Address: No. 1058 Deng Hui Road, Min Hang District, Shanghai, China (201109)
Tel: (86) 21-6490 8790 Fax: (86)21-6490 8780
Email: market@imageye.com [Http://www.imageye.com](http://www.imageye.com)

WARNING



- * Do not touch INPUT PORT when power is on.
- * Please leave 20% power free to protect the brightness of ribbon from being influenced by environments.
- * Install this ribbon at desired installation spot.
- * Please note the negative and positive polarity when you link wires of power supply to avoid short circuit.
- * Make sure the output voltage of power supply is of the same with Chip RGB Ribbon' operating voltage.



Shanghai Imagey Electronics Co., Ltd
Address: No. 1058 Deng Hui Road, Min Hang District, Shanghai, China (201109)
Tel: (86) 21-6490 8790 Fax: (86)21-6490 8780
Email: market@imagey.com [Http://www.imagey.com](http://www.imagey.com)